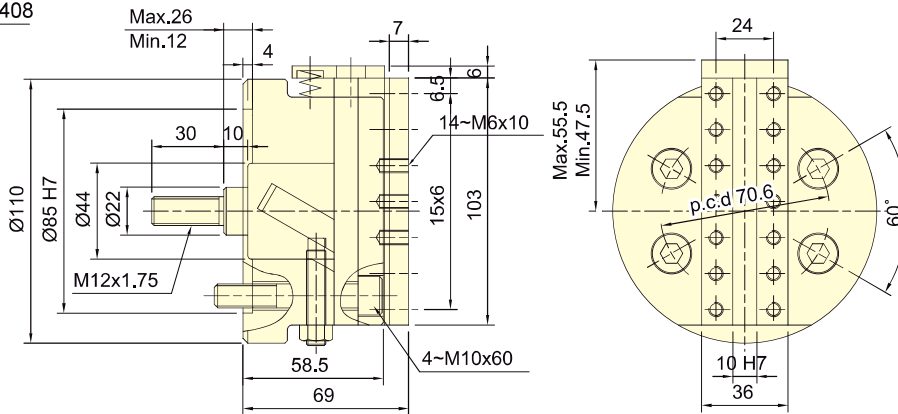




- Feed mechanism is transmitted by Wedge Plunger with steady feed speed. Simple adjustment for feed speed and stroke.
- Matching surfaces of all parts hardened, grinding and lubricated directly. With rigidity and durability.
- Stopper accuracy: $\pm 0.03\text{mm}$.
- Suitable for using with RS type cylinder.
- For precision processes, Wedge Plunger type facing heads are suitable for using with electro servo and ball screw mechanism.

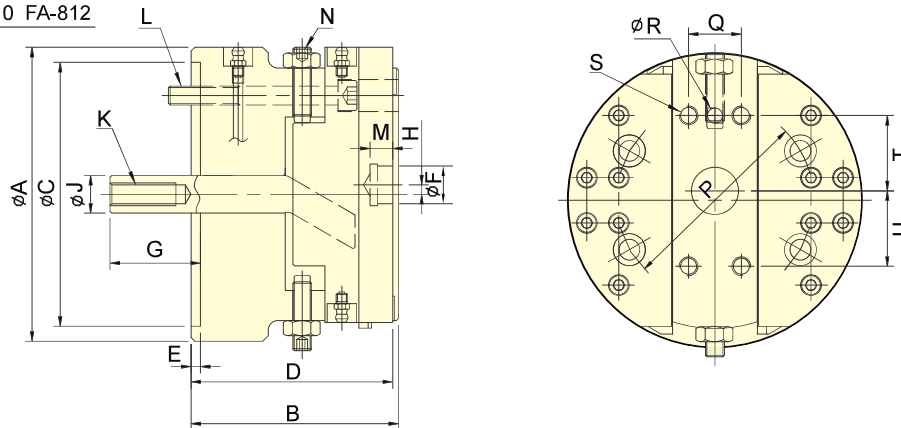
WEDGE PLUNGER

FA-408



WEDGE PLUNGER

FA-610 FA-812



Subject to technical changes

SPECIFICATIONS

Model	Plunger stroke(Dia.)	Slider stroke(Dia.)	Max. speed	Max. feed speed	Weight	Matching cylinder	Max. pressure
	mm	mm	min^{-1} (r.p.m.)	mm/min.	kg		MPa(kgf/cm ²)
FA-408	14	8	1600	400	4.2	RS-6520N	1.0(10)
Model	Plunger stroke(Dia.)	Slider stroke(Dia.)	Max. speed	Max. D.B. PULL	I	Weight	Matching cylinder
	mm	mm	min^{-1} (r.p.m.)	kN(kgf)	Moment of inertia		
FA-610	18	10	1200	280	0.04	14.5	RS-6520N
FA-812	21	12	800	450	0.14	28.5	RS-6530N

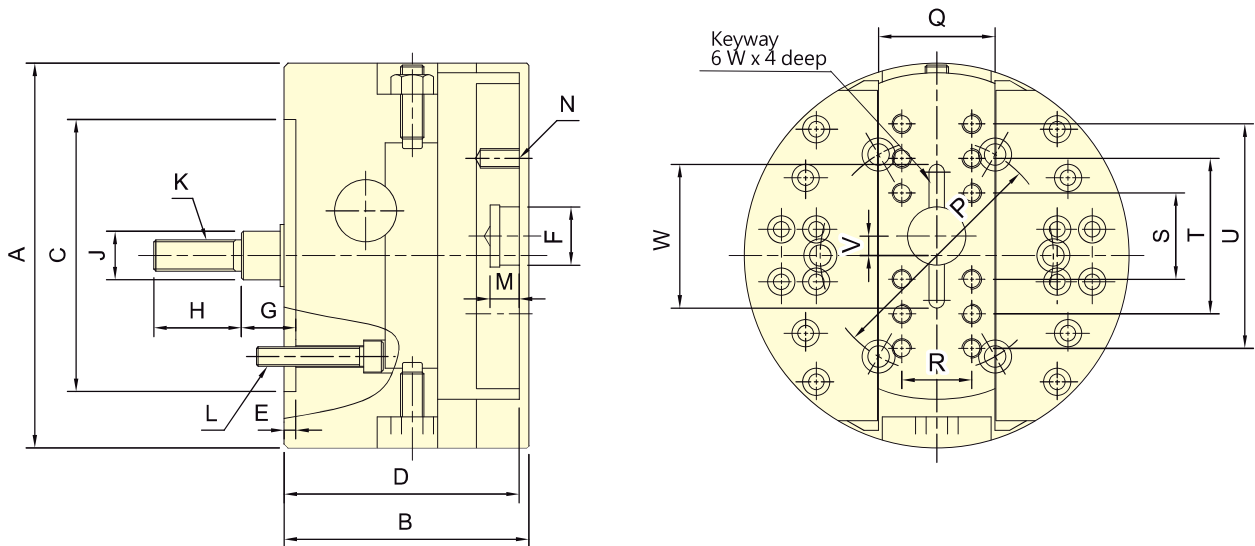
DIMENSIONS

Model	A	B	C H7	D	E	F H7	G max.	G min.	H	J	K	L	M	N	P	Q	R H8	S	T	U
FA-610	156	110	140	107	5	20	66	48	± 5	20	M12x1.75	4-M10x90	12	2-M10x45	104.8	28	8	4-M10x16	40	40
FA-812	198	130	170	127	5	25	84	63	± 6	25	M16x2.0	4-M12x105	12	2-M12x60	133.4	32	10	4-M10x16	50	50



- Feed mechanism is transmitted by Rack and Pinion with steady feed speed. Simple adjustment for feed speed and stroke.
- Matching surfaces of all parts hardened, grinding and lubricated directly. With rigidity and durability.
- Stopper accuracy: $\pm 0.03\text{mm}$, work with stopper screw.
- Suitable for using with RS type cylinder.
- For precision processes, Wedge Plunger type facing heads are suitable for using with electro servo and ball screw mechanism.

RACK AND PINION
FA-615 FA-830 FA-1570



FACING HEADS

Subject to technical changes

SPECIFICATIONS

Model	Plunger stroke(Dia.)	Slider stroke(Dia.)	Max. speed	Max. feed speed	Weight	Matching cylinder	Max. pressure
	mm	mm	$\text{min}^{-1}(\text{r.p.m.})$	mm/min.	kg		MPa(kgf/cm ²)
FA-615	15	15	1200	300	11.9	RS-6520N	1.2(12)
FA-830	30	30	800	240	23.9	RS-6530N	1.8(18)
FA-1570	70	70	500	120	167	RS-1080N	2.6(26)

DIMENSIONS

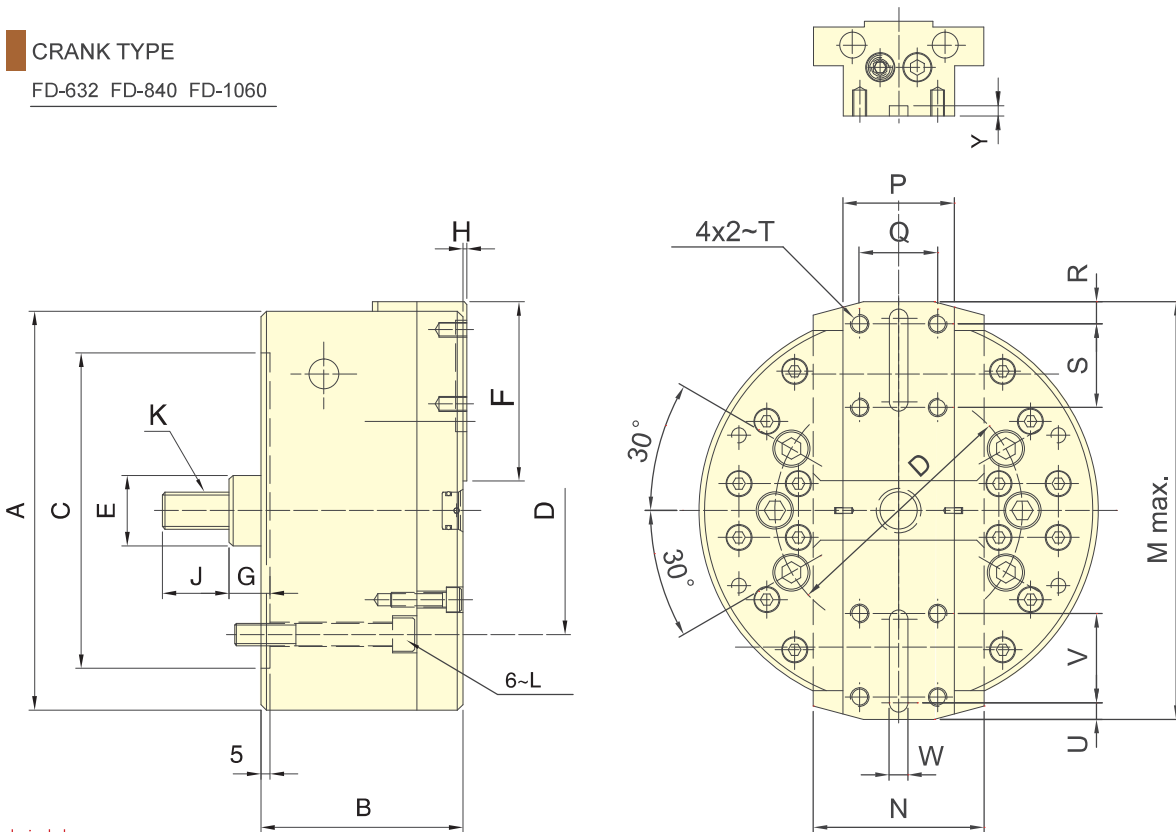
Model	A	B	C (H7)	D	E	F (H7)	G max.	G min.	H	J	K
FA-615	150	107	110	102	5	25	40	25	35	20	M12x1.75
FA-830	198	126	140	121	6	30	54	24	45	25	M16x2
FA-1570	400	200	300	192	6	60	110	40	75	50	M30x3.5

Model	L	M	N	P	Q	R	S	T	U	V	W
FA-615	3-M10x40	12	8-M8x16	82.6	50	32	32	68	-	± 7.5	56
FA-830	6-M10x55	15	12-M10x20	120	60	36	40	80	120	± 15	66
FA-1570	6-M20x90	15	8-M16x20	235	120	80	130	260	-	± 17.5	-



- Feed mechanism is transmitted by Crank type with steady feed speed. Simple adjustment for feed speed and stroke.
- Matching surfaces of all parts hardened, grinding and lubricated directly. With rigidity and durability.
- Stopper accuracy: $\pm 0.03\text{mm}$, work with stopper screw.
- Suitable for using with RS type cylinder.
- For precision processes, Helical Gear Rack type facing heads are suitable for using with electro servo and ball screw mechanism.

CRANK TYPE
FD-632 FD-840 FD-1060



Subject to technical changes

SPECIFICATIONS

Model	Plunger stroke(Dia.)	Slider stroke(Dia.)	Max. speed min ⁻¹ (r.p.m.)	Max. feed speed mm/min.	Weight kg	Matching cylinder	Max. pressure
	mm	mm					MPa(kgf/cm ²)
FD-632	20	32	3200	300	13.6	RS-1030N	2.4(24)
FD-840	25	40	2500	240	30.0	RS-1030N	3.0(30)
FD-1060	35	60	1800	200	41.5	RS-1040N	3.0(30)

DIMENSIONS

Model	A	B	C(H7)	D	E	F	G max.	G Min.	H	J	K
FD-632	168	93	140	104.8	32	76	31	11	2	36	M16x2.0
FD-840	215	109	170	133.4	38	96.5	32.5	7.5	2	36	M20x2.5
FD-1060	254	123	220	171.4	38	110.5	32.5	-2.5	4	36	M20x2.5

Model	L	M	N	P	Q	R	S	T	U	V	W(H8)	Y
FD-632	6~M10x75	188	70	40	25	10	32	M8x15	10	32	6	4
FD-840	6~M12x85	238	92	60	42	12	45	M10x15	12	45	10	6
FD-1060	6~M16x125	286	90	65	46	15	50	M10x15	12	50	10	6