

Nuts for T-slots

DIN 508 enhanced



Material:

Carbon steel grade 10, EN AW-7075 or stainless steel 1.4305.

Version:

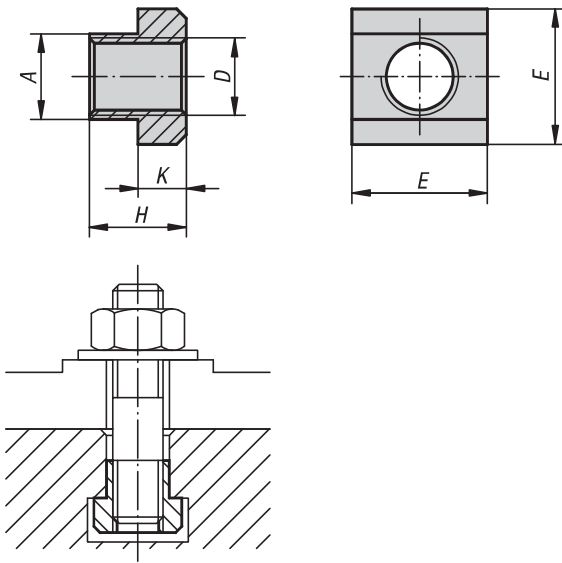
Steel black.
Aluminium and stainless steel bright.

Sample order:

K0377.20

Note:

Nuts for T-slots in aluminium have threaded steel inserts.



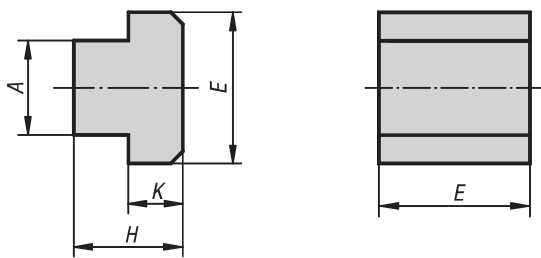
KIPP Nuts for T-slots to DIN 508 enhanced

Order No. steel	Order No. aluminium	Order No. stainless steel	Nominal slot size	D	A	E	H	K
K0377.05	K0377.204	-	6	M5/M4	5,6	10	8	4
K0377.06	K0377.206	K0377.806	8	M6	7,6	13	10	6
K0377.061	K0377.2061	-	10	M6	9,6	15	12	6
K0377.08	-	K0377.808	10	M8	9,6	15	12	6
K0377.081	K0377.208	-	12	M8	11,5	18	14	7
K0377.10	-	K0377.810	12	M10	11,5	18	14	7
K0377.082	-	-	14	M8	13,5	22	16	8
K0377.101	K0377.210	-	14	M10	13,5	22	16	8
K0377.12	-	K0377.812	14	M12	13,5	22	16	8
K0377.121	-	-	16	M12	15,6	25	18	9
K0377.14	-	K0377.814	16	M14	15,6	25	18	9
K0377.122	-	-	18	M12	17,5	28	20	10
K0377.141	-	-	18	M14	17,5	28	20	10
K0377.16	-	K0377.816	18	M16	17,5	28	20	10
K0377.123	-	-	20	M12	19,6	32	24	12
K0377.161	-	-	20	M16	19,6	32	24	12
K0377.18	-	-	20	M18	19,6	32	24	12
K0377.124	K0377.216	-	22	M12/M16	21,6	35	28	14
K0377.181	-	-	22	M18	21,6	35	28	14
K0377.20	-	-	22	M20	21,6	35	28	14
K0377.163	-	-	24	M16	23,6	40	32	16
K0377.201	-	-	24	M20	23,6	40	32	16
K0377.22	-	-	24	M22	23,6	40	32	16
K0377.164	-	-	28	M16	27,6	44	36	18
K0377.202	-	-	28	M20	27,6	44	36	18
K0377.24	-	-	28	M24	27,6	44	36	18
K0377.27	-	-	32	M27	31,5	50	40	20
K0377.241	-	-	36	M24	35,5	54	44	22
K0377.30	-	-	36	M30	35,5	54	44	22
K0377.36	-	-	42	M36	41,5	65	52	26



Nuts for T-slots

blanks



Material:

Carbon steel or stainless steel 1.4305.

Sample order:

K0378.16

Note:

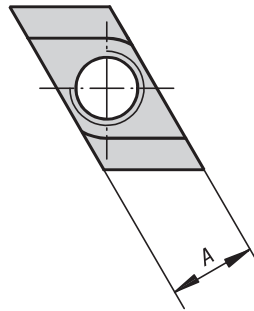
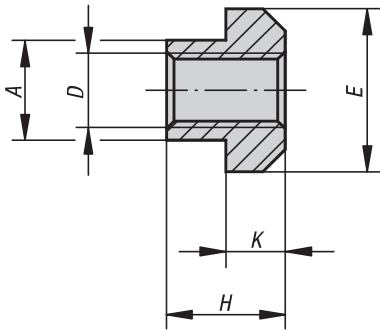
These blank nuts are used to make nuts for T-slots with all sorts of thread sizes cost-effectively.

KIPP Nuts for T-slots, blanks

Order No. steel	Order No. stainless steel	Nominal slot size	A	E	H	K
K0378.06	-	6	5,6	10	8	4
K0378.08	K0378.808	8	7,6	13	10	6
K0378.10	K0378.810	10	9,6	15	12	6
K0378.12	K0378.812	12	11,5	18	14	7
K0378.14	K0378.814	14	13,5	22	16	8
K0378.16	-	16	15,6	25	18	9
K0378.18	-	18	17,5	28	20	10
K0378.20	-	20	19,6	32	24	12
K0378.22	-	22	21,6	35	28	14
K0378.24	-	24	23,6	40	32	16
K0378.28	-	28	27,6	44	36	18
K0378.36	-	36	35,5	54	44	22
K0378.42	-	42	41,6	65	52	26

Nuts for T-slots

rhombic form



Material:

Carbon steel.

Version:

Tempered to 8 and black oxidised.

Sample order:

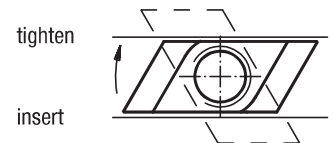
K0379.114

Note:

The benefit of rhombic nuts for T-slots is that they can be fitted in the slot from the top. They are particularly useful for long T-slots, or when the configuration on the machine table does not permit clamping screws or nuts for T-slots to be inserted from the side.

Application:

Insert from above then twist in the slot until it stops.



KIPP Nuts for T-slots, rhombic form

Order No.	Nominal slot size	D	A	E	H	K
K0379.105	6	M5	5,6	10	8	4
K0379.106	8	M6	7,6	13	10	6
K0379.108	10	M8	9,7	15	12	6
K0379.110	12	M10	11,7	18	14	7
K0379.210	14	M10	13,5	22	16	8
K0379.310	18	M10	17,5	28	20	10
K0379.112	14	M12	13,7	22	16	8
K0379.114	16	M14	15,7	25	18	9
K0379.116	18	M16	17,7	28	20	10
K0379.216	20	M16	19,7	32	24	12
K0379.316	22	M16	21,5	35	28	14
K0379.416	28	M16	27,5	44	36	18
K0379.118	20	M18	19,7	32	24	12
K0379.120	22	M20	21,7	35	28	14
K0379.124	28	M24	27,7	44	36	18
K0379.130	36	M30	35,6	54	44	22
K0379.136	42	M36	41,5	65	52	26

