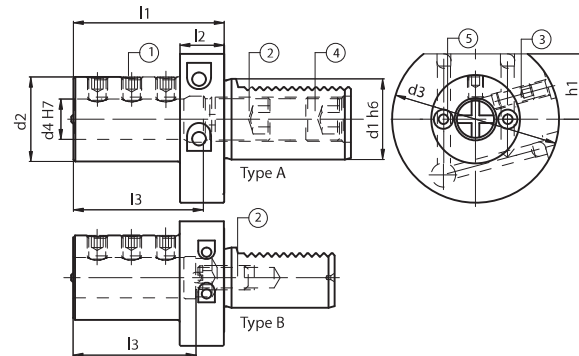
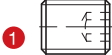
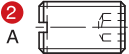
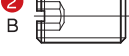
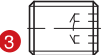
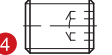
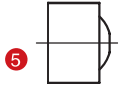


BOHRSTANGENHALTER
BORING BAR HOLDER
ДЕРЖАТЕЛИ ДЛЯ РАСТОЧНЫХ РЕЗЦОВ

PORTE-OUTIL POUR BARRES D'ALEPAGE
PORTAUTENSILE PER BARENI
搪孔刀杆

E2



Code N.	d1	d2	d3	d4	h1	l1	l2	l3	T	Locking screw	Qt	Stop screw	Screw	Screw	Coolant noose
												 2 A  2 B			
E2-16x8	16	32	40	8	18	44	13	34	B	811-102020	3	811-102021	811-102011	-	PWZ1005D6X4.5
E2-16x10	16	32	40	10	18	44	13	34	B	811-102020	3	811-102021	811-102011	-	PWZ1005D6X4.5
E2-16x12	16	40	40	12	18	44	13	34	B	811-102028	3	811-402065	811-102011	-	PWZ1005D6X4.5
E2-16x16	16	40	40	16	18	44	13	34	B	811-102028	3	811-402065	811-102011	-	PWZ1005D6X4.5
E2-20x6	20	40	50	6	23	50	18	42	B	811-102021	2	811-102015	-	-	PWZ1008D10X7
E2-20x8	20	40	50	8	23	50	18	42	B	811-102021	2	811-102023	-	-	PWZ1008D10X7
E2-20x10	20	40	50	10	23	50	18	42	B	811-102029	2	811-102023	-	-	PWZ1008D10X7
E2-20x12	20	40	50	12	23	50	18	42	B	811-102029	2	811-402066	-	-	PWZ1008D10X7
E2-20x16	20	42	50	16	23	50	18	42	B	811-102028	2	811-402066	-	-	PWZ1008D10X7
E2-20x20	20	49	50	20	23	50	18	42	B	811-102028	2	811-402066	-	-	PWZ1008D10X7
E2-20x25	20	49	50	25	23	60	18	52	B	811-102027	2	811-402066	-	-	PWZ1008D10X7
E2-30x6	30	55	68	6	28	60	22	43	A	811-102022	3	811-402030	811-102029	811-102070	PWZ1012D12X8
E2-30x8	30	55	68	8	28	60	22	43	A	811-102022	3	811-402030	811-102029	811-102070	PWZ1012D12X8
E2-30x10	30	55	68	10	28	60	22	43	A	811-102022	3	811-402030	811-102029	811-102070	PWZ1012D12X8
E2-30x12	30	55	68	12	28	60	22	43	A	811-102030	3	811-402030	811-102029	811-102070	PWZ1012D12X8
E2-30x16	30	55	68	16	28	60	22	55	A	811-102030	3	811-402071	811-102029	811-402072	PWZ1012D12X8
E2-30x20	30	55	68	20	28	60	22	54	B	811-102029	3	811-402028	811-102029	-	PWZ1012D12X8
E2-30x25	30	55	68	25	28	60	22	54	B	811-102029	3	811-402028	811-102029	-	PWZ1012D12X8
E2-30x30	30	67	68	30	28	75	22	61	B	811-102029	3	811-402029	811-102029	-	PWZ1012D12X8
E2-30x32	30	67	68	32	28	75	22	61	B	811-102029	3	811-402029	811-102029	-	PWZ1012D12X8
E2-30x40	30	67	68	40	28	75	22	66	B	811-102029	3	811-402029	811-102019	-	PWZ1008D10X7

...segue
→

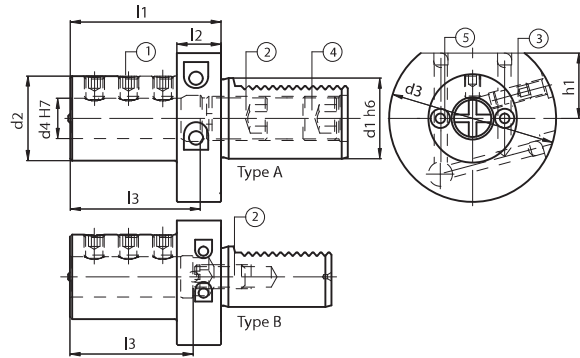


Zubehör
Accessories
Accessoires
Accessori
Принадлежности
零件

pag. 458

BOHRSTANGENHALTER BORING BAR HOLDER ДЕРЖАТЕЛИ ДЛЯ РАСТОЧНЫХ РЕЗЦОВ
 PORTE-OUTIL POUR BARRES D'ALEPAGE PORTAUTENSILE PER BARENI 搪孔刀杆

E2



Code N.	d1	d2	d3	d4	h1	l1	l2	l3	T	Locking screw	Qty.	Stop screw	Screw	Screw	Coolant noose
E2-40x6	40	55	83	6	32.5	75	22	43	A	811-102022	2	811-402030	811-102029	811-102070	PWZ1012D12X8
E2-40x8	40	55	83	8	32.5	75	22	43	A	811-102030	2	811-402030	811-102029	811-102070	PWZ1012D12X8
E2-40x10	40	55	83	10	32.5	75	22	43	A	811-102030	2	811-402030	811-102029	811-102070	PWZ1012D12X8
E2-40x12	40	55	83	12	32.5	75	22	58	A	811-102030	3	811-402030	811-102029	811-102070	PWZ1012D12X8
E2-40x16	40	55	83	16	32.5	75	22	61	A	811-102038	3	811-402071	811-102029	811-402072	PWZ1012D12X8
E2-40x20	40	55	83	20	32.5	75	22	61	A	811-102037	3	811-402064	811-102029	811-402073	PWZ1012D12X8
E2-40x25	40	55	83	25	32.5	75	22	61	B	811-102038	3	811-402028	811-102029	-	PWZ1012D12X8
E2-40x30	40	82	83	30	32.5	75	22	61	B	811-102037	3	811-402029	811-102029	-	PWZ1012D12X8
E2-40x32	40	82	83	32	32.5	75	22	61	B	811-102038	3	811-402029	811-102029	-	PWZ1012D12X8
E2-40x40	40	82	83	40	32.5	90	22	76	B	811-102037	3	811-402029	811-102029	-	PWZ1012D12X8
E2-40x50	40	98	98	50	35	100	-	86	B	811-102064	3	811-402028	811-102029	-	PWZ1012D12X8
E2-50x12	50	68	98	12	35	90	30	71	A	811-102031	3	811-402030	811-102029	811-102070	PWZ1012D12X8
E2-50x16	50	68	98	16	35	90	30	76	A	811-102039	3	811-402071	811-102029	811-402072	PWZ1012D12X8
E2-50x20	50	68	98	20	35	90	30	76	A	811-102045	3	811-402064	811-102029	811-402073	PWZ1012D12X8
E2-50x25	50	68	98	25	35	90	30	76	A	811-102045	3	811-402074	811-102029	811-402075	PWZ1012D12X8
E2-50x32	50	69	98	32	35	90	30	76	B	811-102044	3	811-402028	811-102029	-	PWZ1012D12X8
E2-50x40	50	98	98	40	35	90	-	76	B	811-102043	3	811-402028	811-102029	-	PWZ1012D12X8
E2-50x50	50	98	98	50	35	100	-	86	B	811-102064	3	811-402028	811-102029	-	PWZ1012D12X8
E2-60x16	60	68	123	16	42.5	90	30	76	A	811-102039	3	811-402071	811-102030	811-402072	PWZ1012D12X8
E2-60x20	60	68	123	20	42.5	90	30	76	A	811-102045	3	811-402064	811-102030	811-402073	PWZ1012D12X8
E2-60x25	60	68	123	25	42.5	90	30	76	A	811-102045	3	811-402074	811-102030	811-402075	PWZ1012D12X8
E2-60x32	60	68	123	32	42.5	90	30	76	A	811-102044	3	811-402076	811-102030	811-402077	PWZ1012D12X8
E2-60x40	60	98	123	40	42.5	90	30	76	B	811-102044	3	811-402029	811-102030	-	PWZ1012D12X8
E2-60x50	60	98	123	50	42.5	100	30	86	B	811-102043	3	811-402029	811-102030	-	PWZ1012D12X8
E2-80x20	80	68	158	20	55	100	30	86	A	811-102045	3	811-402064	811-102030	811-402073	PWZ1012D12X8
E2-80x25	80	68	158	25	55	100	30	86	A	811-102044	3	811-402074	811-102030	811-402075	PWZ1012D12X8
E2-80x32	80	68	158	32	55	100	30	86	A	811-102044	3	811-402076	811-102030	811-402077	PWZ1012D12X8
E2-80x40	80	98	158	40	55	100	30	86	A	811-102046	3	811-402078	811-102030	811-402079	PWZ1012D12X8
E2-80x50	80	98	158	50	55	100	30	92	B	811-102045	3	811-402029	811-102030	-	PWZ1012D12X8
E2-80x60	80	98	158	60	55	100	30	92	B	811-102045	3	811-402029	811-102030	-	PWZ1012D12X8



Zubehör
 Accessories
 Accessoires
 Accessori
 Принадлежности
 零件

pag. 458